

# Flexible RF Output Replicator Modulator, restoring traditional Sky distribution via IO Link

## proLINK22

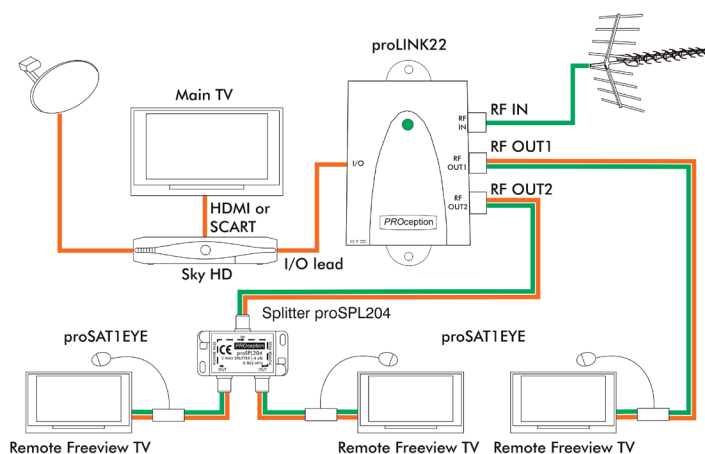
Distributing the analogue RF output of a Sky box from the main TV location to other rooms remains a popular solution for multi-room viewing. The new PROception proLINK22 modulator and remote control unit allows unrivalled flexibility for this application. This unit connects to the I/O port on the Sky receiver and replaces the RF distribution and remote control functions previously available from the RF OUT 1 and RF OUT 2 connectors.

### Key Features

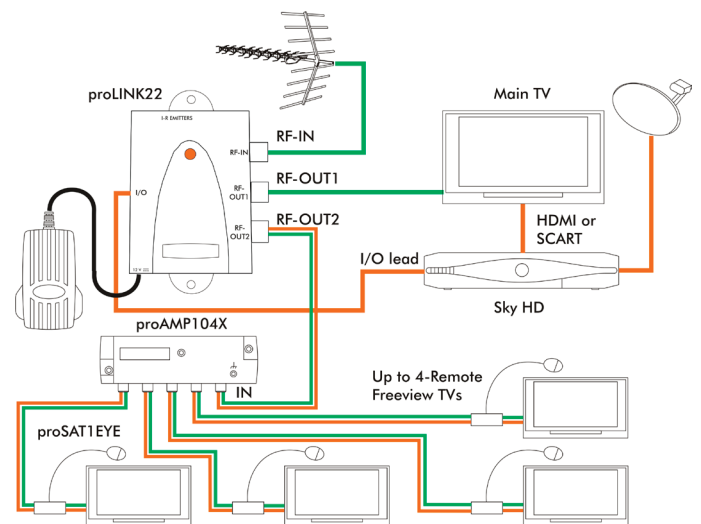
- Connect to a TV Distribution System for viewing and IR Magic Eye control at multiple locations.
- RF loop-through for Freeview, etc., replaces Sky AERIAL IN connector.
- High-quality UHF modulator with infrared return remote control capability on BOTH of its twin F-type RF outputs.
- Simple channel setting using Sky box menu.
- Two remote rooms can be wired directly from the proLINK (expandable to three using a splitter and without a power supply)\*
- Connect optional power unit (proPSA123 or proPSA125) to power 4-way system using proMHD14R or proAMP104X amplifier. 10-way system also possible using proAMP310X.
- 3-colour power-status indicator.
- Wall mountable with extended lead. (500mm)



See website for other application examples. [www.blake-uk.com/prolink22](http://www.blake-uk.com/prolink22)



Simple installation with three remote rooms using proSPL204 splitter.



Four-remote-room installation.

RF INPUT AND OUTPUT	
Interface	Sky I/O port via 0.5 m flying lead
Modulator	UK System I, channels 21–60
RF Connections	1-in, 2-out, both outputs IR-eye-enabled
IR 'eye' current available	10 mA max per output (total 15 mA max.) s/c protected
System current with external PSU	75 mA max. at RF-OUT2

\* This requires the use of PROception proSAT1EYE IR eyes and assumes that the local TV is connected by Scart or HDMI and does not require an RF antenna connection. Recommended splitter is proSPL204